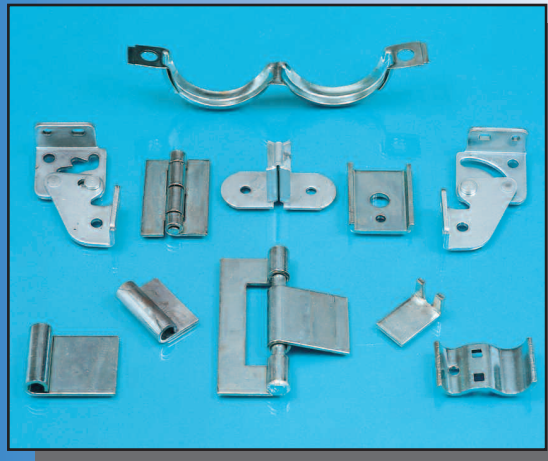


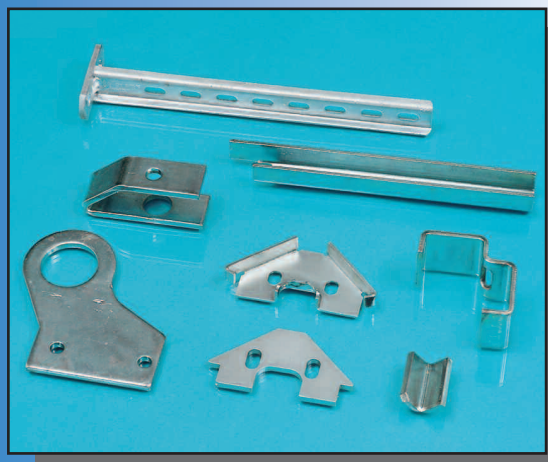


  
**KIRMELL** LTD

Est 1985



- 
- Metal presswork
  - Fabrications
  - Laser cutting
  - CNC machining
  - Cubicle hardware
- 



Kirmell Works, Eyre Street,

Birmingham B18 7AA

Telephone : 0121 456 3141

Fax : 0121 456 3151

[www.kirmell.co.uk](http://www.kirmell.co.uk)

# UKCA Certificate of Conformity of the Factory Production Control

This is to certify that:

Kirmell Ltd  
Kirmell Works  
Eyre Street  
BIRMINGHAM  
B18 7AA  
United Kingdom

Holds Certificate Number: 0086 CPR 708240

In respect of:

**BS EN 1090-1:2009+A1:2011 - Execution of steel structures and aluminium structures., The manufacture (including welding) of structural work in steel and aluminium up to and including Execution Class 2 (EXC 2) as defined in BS EN 1090-2.**

In compliance with the Regulation (UK) Statutory Instrument 2019 No 465 of the United Kingdom Parliament (Construction Products (Amendment etc.) (EU Exit) Regulations or CPR), this certificate applies to the above construction product. This certificate attests that all the provisions concerning the assessment and verification of constancy of performance described in Annex ZA of the above standard(s) under system 2+ are applied and that the product fulfils (products fulfil) all the prescribed requirements set out above. This certificate remains valid as long as the test methods and/or factory production control requirements included in the designated standard(s), used to assess the performance of the declared essential characteristics, do not change and the product(s), and the manufacturing conditions in the plant(s) are not modified significantly.

For and on behalf of BSI, an Approved Body for the above Regulation (Approved Body Number 0086):



Frank Lee, Product Certification Technical and Compliance Director

First Issued: 2019-06-27

Effective Date: 2021-01-01

Latest Issue: 2020-12-03

Page: 1 of 1

## Quality Presswork and Quality Service

For quality presswork and quality service, then Kirmell Ltd is the natural selection. From its head office in the Midlands, Kirmell serves a growing number of companies which require quality presswork - on time - every time.

As well as serving many blue chip organisations in the UK, Kirmell's dedication to customer service and quality products is being appreciated by companies throughout Europe, the Far East and the Americas.



## Wide range of medium to heavy presswork

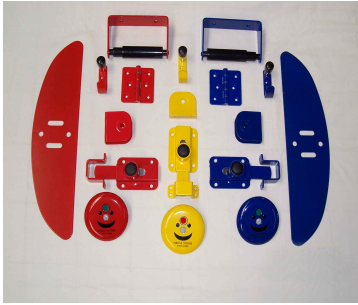
The range of type of presswork undertaken by Kirmell is impressive. The company has developed particular expertise in a number of areas. These include heavy and deep drawn pressings, a wide range of material handling components (including those used in robotic handling) and short run/development work.

Production facilities are under constant review to ensure that all customer requirements can be met fully. Recently, the manufacturing facilities were further extended by the installation of an advanced part CNC controlled brake press with 4 metre capacity.



## Short Runs

Kirmell operates a highly flexible production control system. With its very wide range of presses, short run projects can be easily undertaken as part of its commitment to provide the very best in customer service.



## Development

Kirmell's experience and expertise can be called upon at any stage of a project. Development and prototype work is undertaken on a regular basis for a very wide range of customers.

As well as help with design and material selection, the company's in-house toolroom can undertake rapid tool production/ upgrading so that development samples can be produced in the shortest possible time

## Fast Response

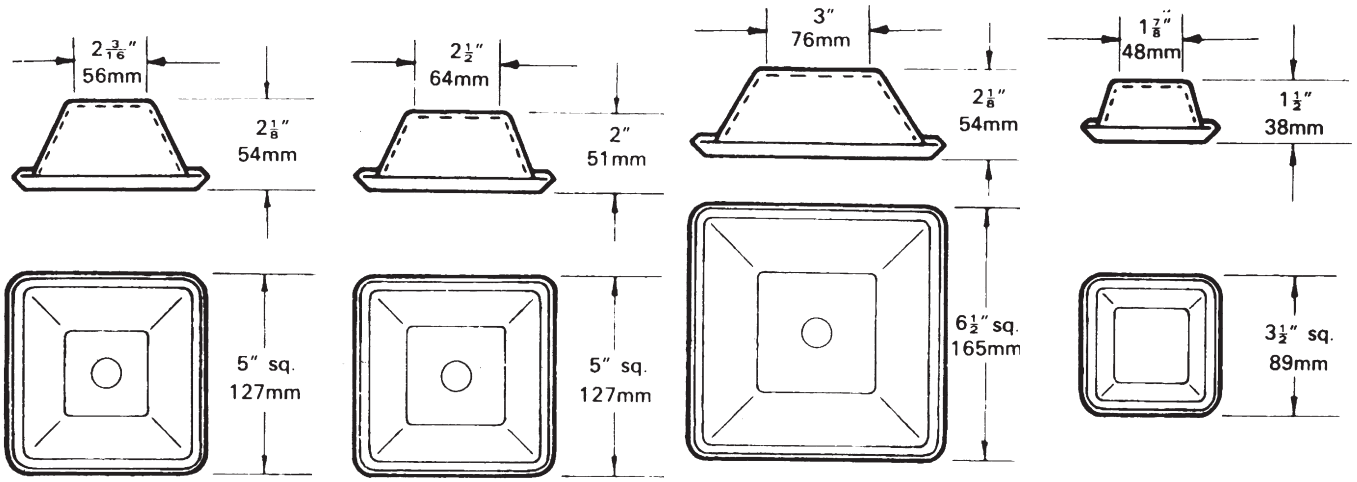
Kirmell takes great pride in providing a rapid response to all type of presswork and related in-house production. The company is geared to react quickly to changing customer requirements and with its wide range of machinery and flexible approach production can be efficiently re-scheduled.

## A Quality Supplier

Kirmell works with many specialist manufacturers and end users.

It's components are delivered to virtually all the major motor vehicle manufacturers based in the UK including the Rover Group, Ford, Vauxhall, Nissan and Toyota. Other users of Kirmell produced items include the Post Office, SG Youngman and the Bank of England for which specialist security equipment is produced. The company also serves the export market with customers in many parts of the world which require quality presswork.

Kirmell's quality manual and quality procedures are all based on the stringent requirements of ISO 9001-2015 - ISO EN1090

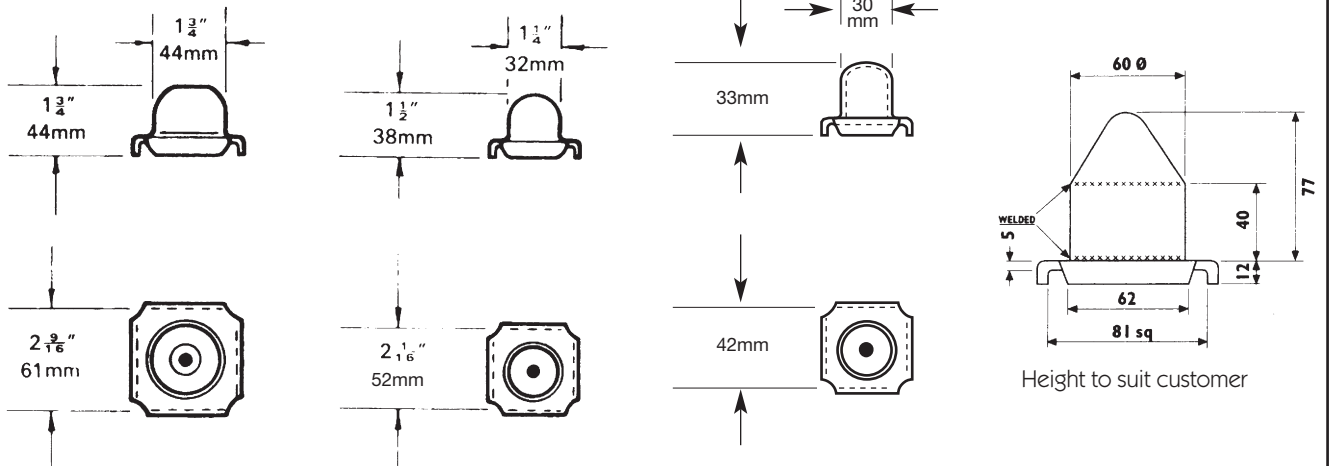


**KPF1** 12 G (2.64mm)  
**KPF1A** 13 G (2.34mm)  
**KPF1B** 3mm

**KPF1C** 12 G (2.64mm)  
**KPF1D** 13 G (2.34mm)

**KPF2** 3mm

**KPF3** 13 G (2.34mm)

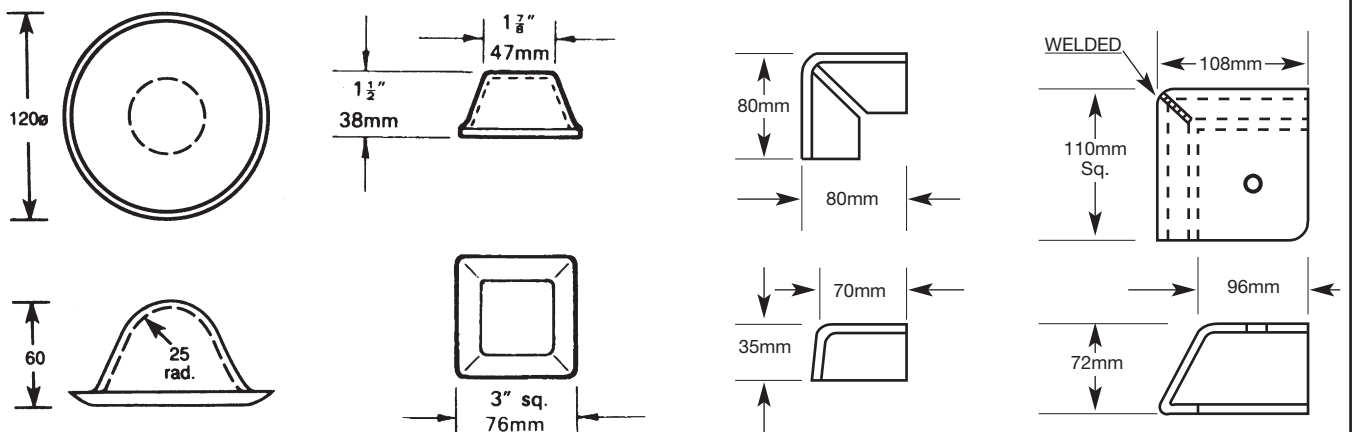


**KPF4** Imp. Nesting Plug Suitable 2½" Sq Hollow Section.  
**KPF14** Metric Nesting Plug Suitable for 60mm Sq. Hollow Section.

**KPF5** Nesting Plug Suitable for 2" R.H.S. (50.8mm)

**KPF55** To suit 40mm hollow section

**KPF61** To suit 80mm R.H.S.



**KPF7** 12 G (2.3mm)

**KPF11** 13 G (2.34mm)

**KPF12** 5mm

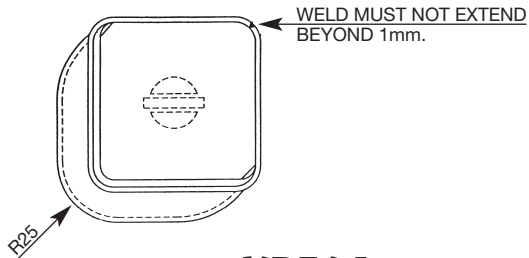
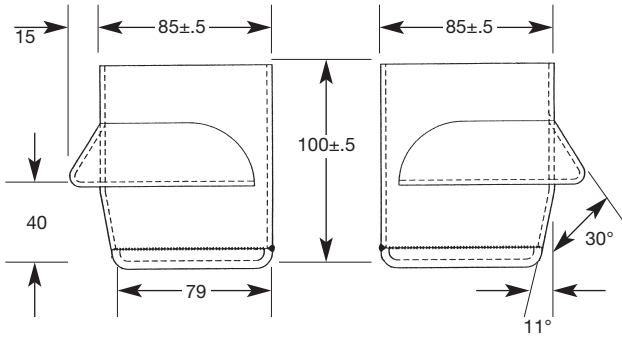
**KPF13** 4mm

<p><b>KPF15</b> 2.3mm Drainage hole optional</p>	<p><b>KPF16</b> 2.3mm</p>	<p><b>KPF17</b> 3mm</p>	<p><b>KPF19</b> 2.3mm</p>
<p>Also 6" 152mm long 3 1/2" 89mm wide</p>			
<p><b>KPF22</b> 5mm</p>	<p><b>KPF23</b> 3mm</p>	<p><b>KPF24</b> 2.3mm</p>	<p><b>KPF25</b> 2.3mm Also with cropped corner</p>
<p><b>KPF26</b> 6mm</p>	<p><b>KPF27</b> 2.3mm</p>	<p><b>KPF29</b> 3mm</p>	<p><b>KPF30</b> 3mm</p>

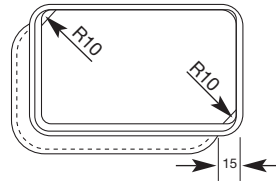
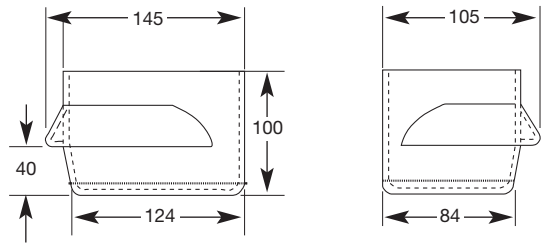
<p><b>KPF31</b> 5mm</p>	<p><b>KPF33</b> 2.3mm</p> <p>Shrouds are available</p>	<p><b>KPF34</b> 2.3mm</p> <p>Shrouds are available</p>	<p><b>KPF35</b> 2.3mm</p>
<p><b>KPF37</b> 2.3mm</p>	<p><b>KPF39</b> 3mm</p>	<p><b>KPF41L</b> 3.0mm</p>	<p><b>KPF41S</b> 3mm</p>
<p><b>KPF42</b> 4mm</p>	<p><b>KPF42 G</b> 4mm</p>	<p><b>KPF43</b> 3mm</p>	<p><b>KPF44</b> 3mm</p>

<p><b>KPF45</b> 3mm</p>	<p><b>KPF46</b> 6mm</p>	<p><b>KPF48</b> 5mm</p>	<p><b>KPF51</b> 5mm</p>
<p><b>KPF52</b> 4mm</p>	<p><b>KPF57</b> 5mm</p>	<p><b>KPF60</b> 4mm</p>	<p><b>KPF60G</b> 4mm</p>
<p><b>KPF60G2</b> 4mm</p>	<p><b>KPF62</b> 4mm</p>	<p><b>KPF63</b></p>	

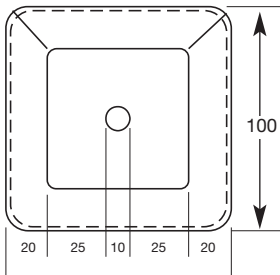
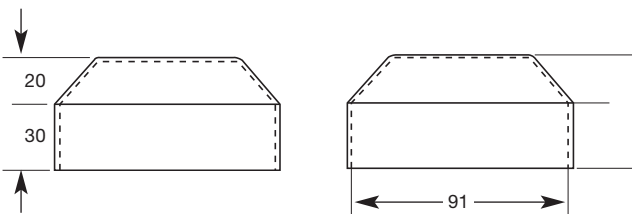




**KPF64**



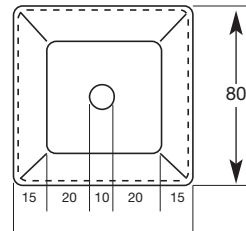
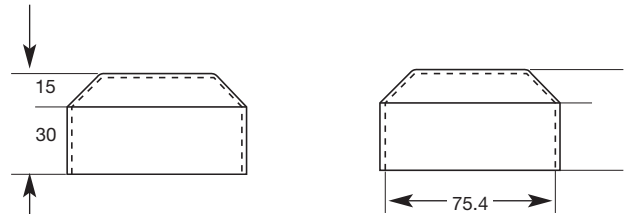
**KPF65**



**KPF66**

To suit 50mm RHS

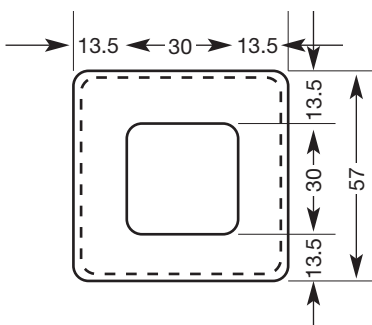
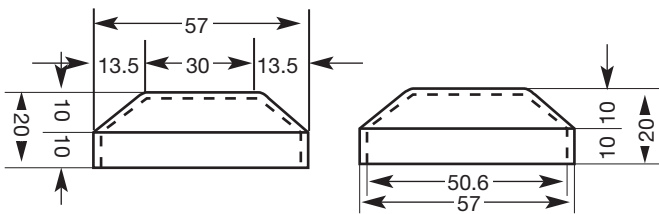
4.5mm



**KPF67**

To suit 40mm RHS

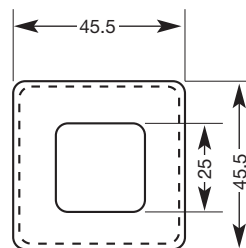
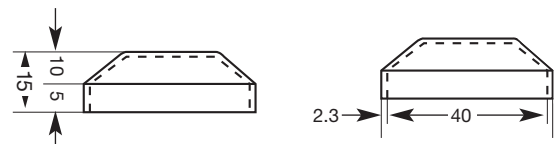
2.3mm



**KPF68**

To suit 50mm RHS

3mm

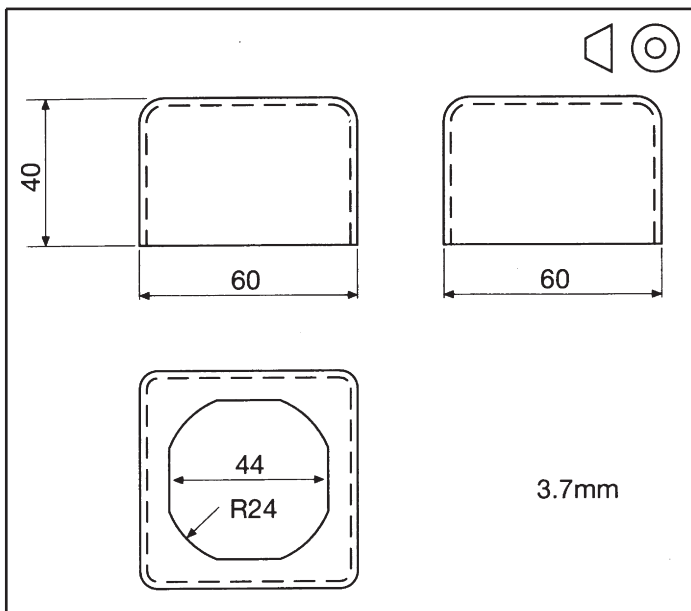


**KPF69**

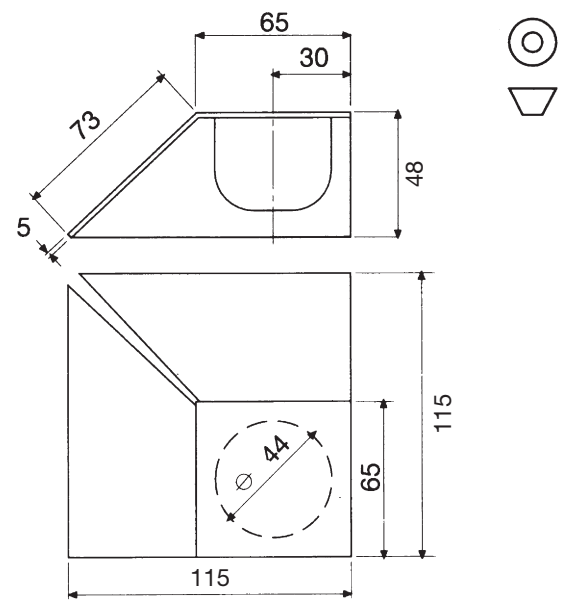
To suit 40mm RHS

2.3mm

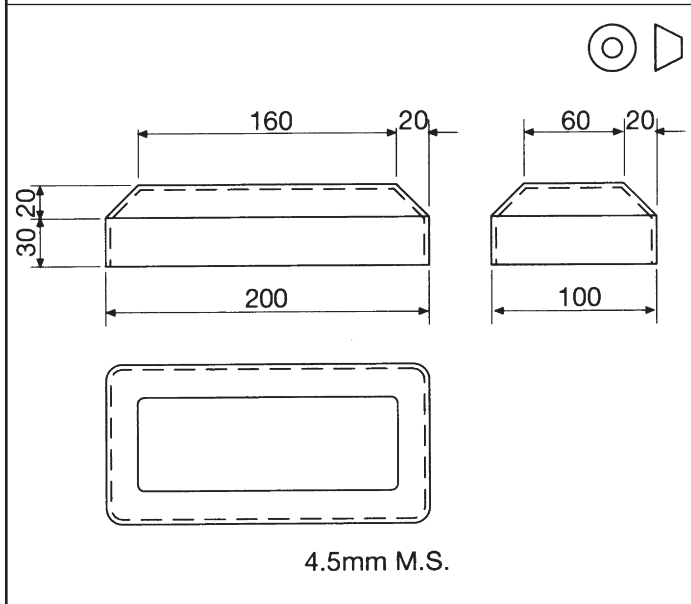
<b>KPF72</b> 4mm	<b>KPF72G</b> 4mm	<b>KPF72L</b> 2mm	<b>KPF74</b> 4.75mm
<b>KPF75</b> 5mm	<b>KPF76</b> 5mm	<b>KPF77</b> 6mm	
<b>KPF78</b> 2.5mm	<b>KPF80</b> 3mm		



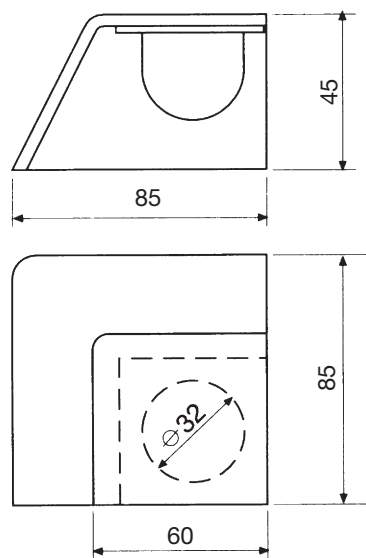
**KPF82**



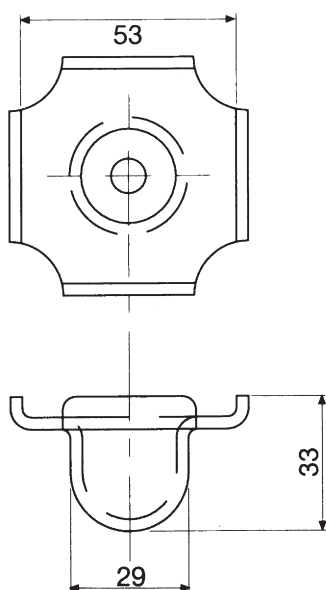
**KPF84**



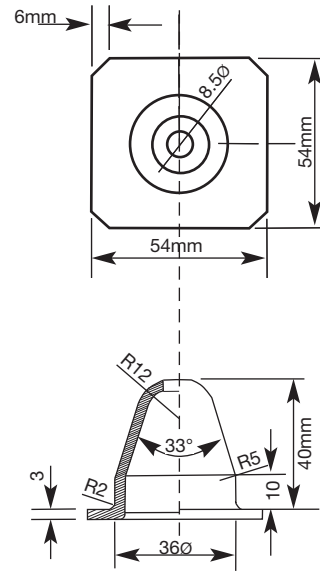
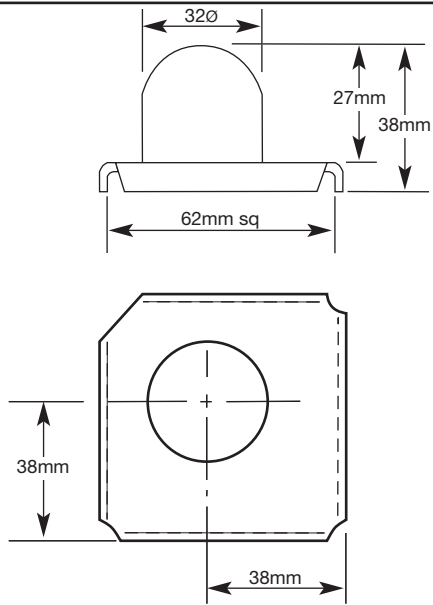
**KPF86**



**KPF108**



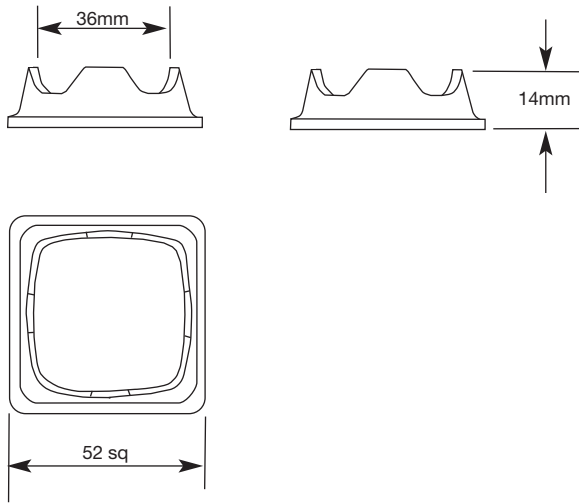
**KPF124**



**KPF134**

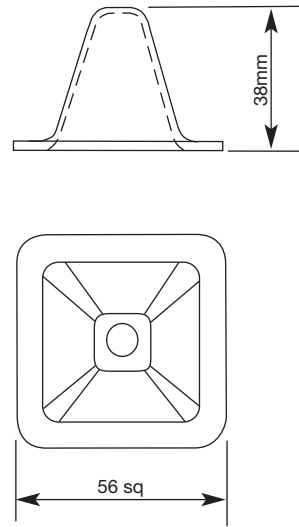
3mm

**KPF136**



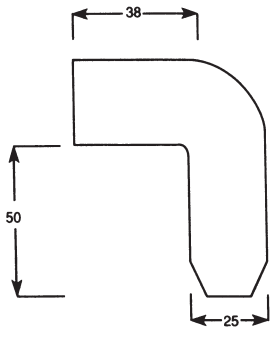
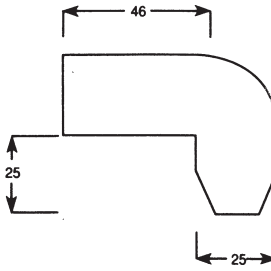
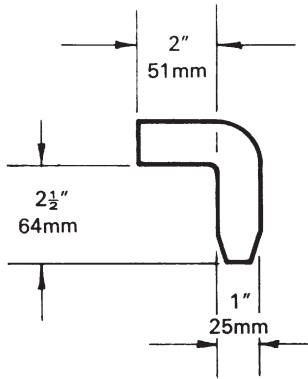
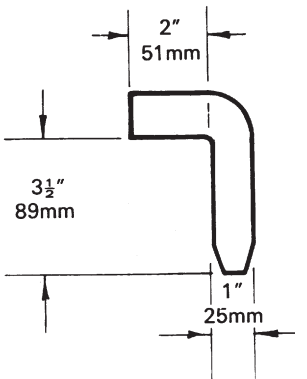
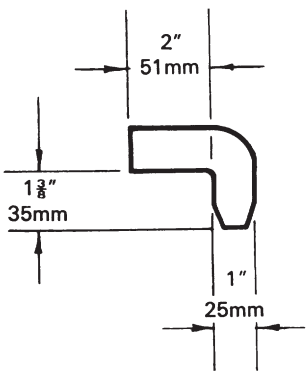
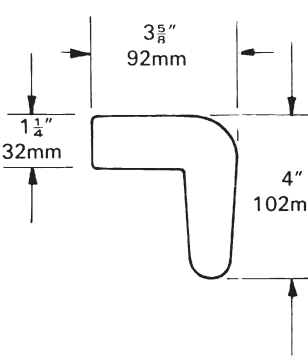
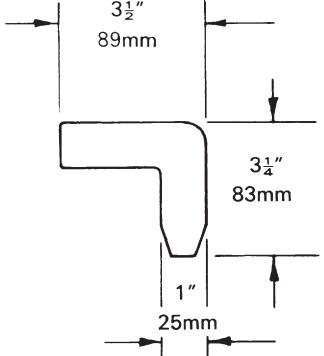
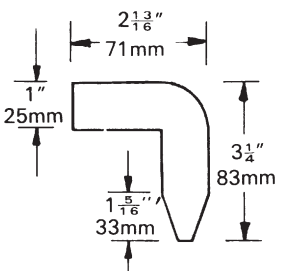
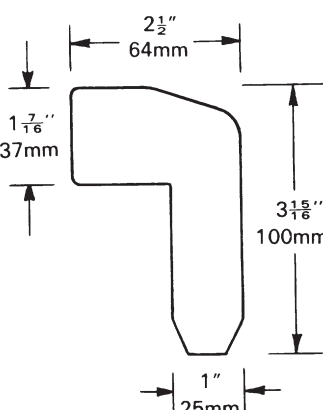
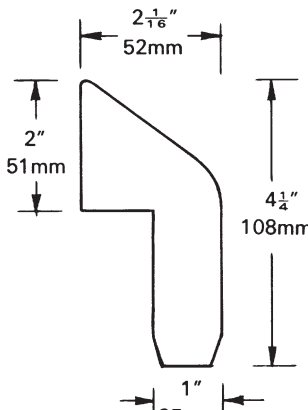
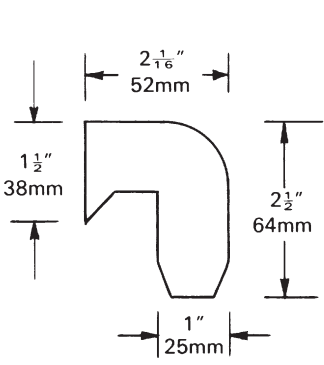
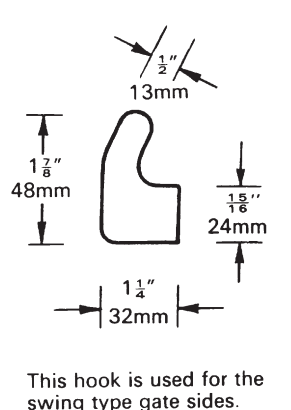
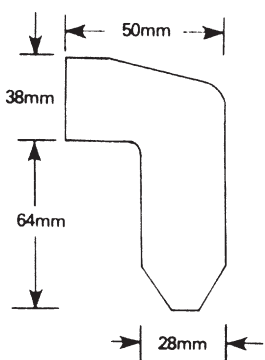
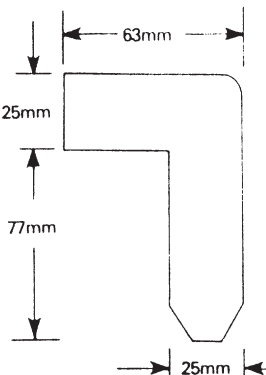
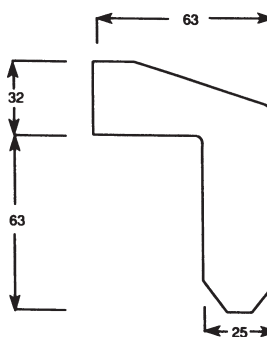
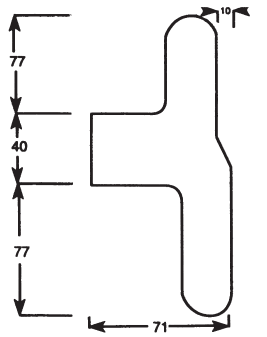
**KPF140**

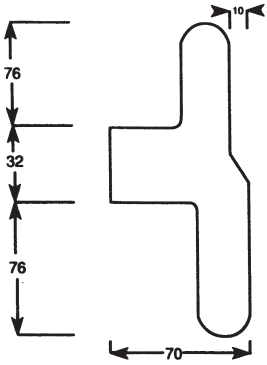
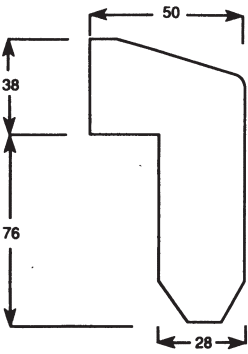
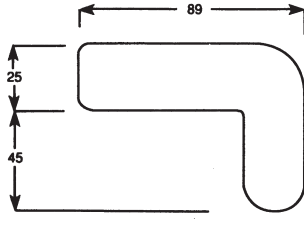
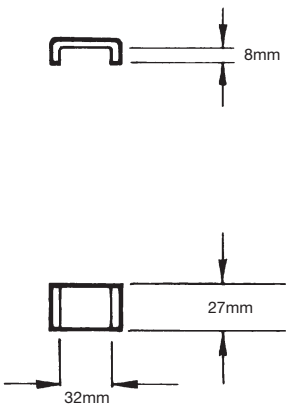
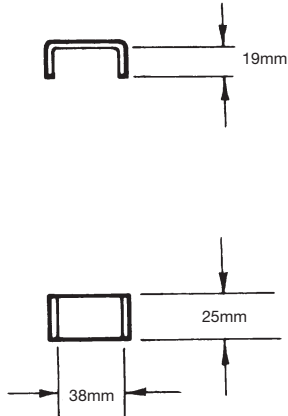
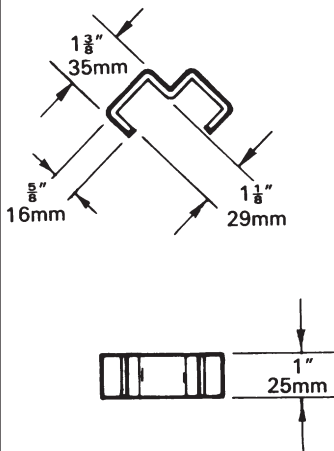
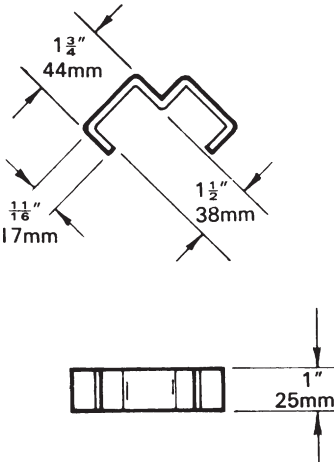
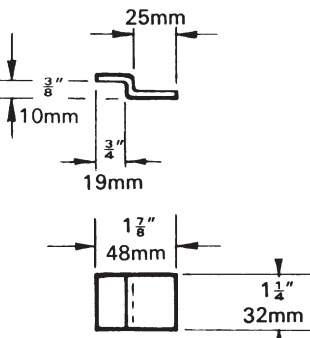
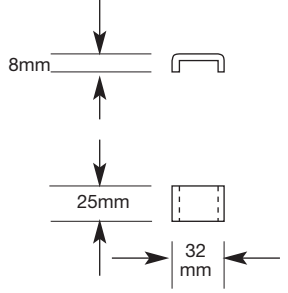
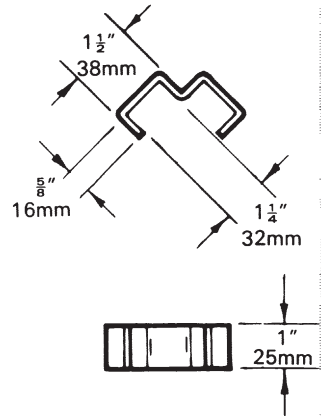
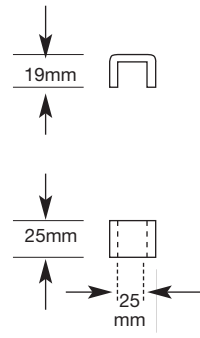
2.5mm



**KPF142**

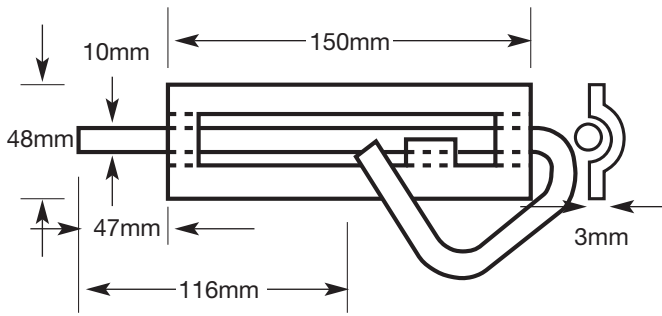
2.5mm

			
<b>KPH1</b> 4.7mm	<b>KPH2</b> 4.7mm	<b>KPH3</b> 5mm	<b>KPH4</b> 5mm
			
<b>KPH5</b> 5mm	<b>KPH7</b> 5mm	<b>KPH8</b> 5mm	<b>KPH10</b> 5mm
			
<b>KPH11</b> 6mm	<b>KPH12</b> 6mm	<b>KPH13</b> 6mm	<b>KPH14</b> 8mm
			
<b>KPH15</b> 6mm	<b>KPH16</b> 5mm	<b>KPH17</b> 6mm	<b>KPH18</b> 6mm

			
<b>KPH19</b> 6mm	<b>KPH20</b> 6mm	<b>KPH21</b> 4.7mm	
 <p>All single Gate Brackets are available in this form in different thicknesses and to customers required dimensions</p>	 <p>All single Gate Brackets are available in this form in different thicknesses and to customers required dimensions</p>		
<b>KPB1</b> 3mm	<b>KPB2</b> 3mm	<b>KPB3</b> Double Gate Bracket 3mm to suit 42.8mm tube	<b>KPB4</b> Double Gate Bracket 3mm to suit 60.3mm tube
			
<b>KPB5</b> 3mm	<b>KPB6</b> 5mm	<b>KPB7</b> 3mm to suit 49mm G tube	<b>KPB8</b> 3mm

<p><b>KPB9</b> 3mm</p>	<p><b>KPB10</b> 4.7mm</p>	<p><b>KPB11</b> 3mm</p>	<p><b>KPB12</b> 5mm</p>
<p><b>KPB13</b> for 60mm RHS</p>	<p><b>KPB14</b> for 60mm RHS</p>	<p><b>KPB15</b> 4.7mm</p>	<p><b>KPB16</b> 3mm</p>
<p><b>KPB17</b> 3mm</p>	<p><b>SB7</b> 5mm</p>	<p><b>SB8</b> 6mm</p>	

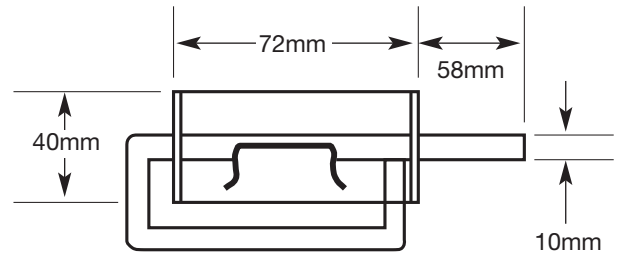
# SHOOT BOLT



L/H or R/H

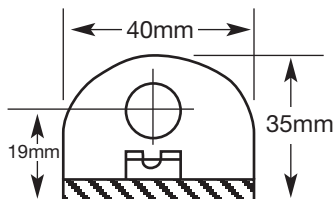
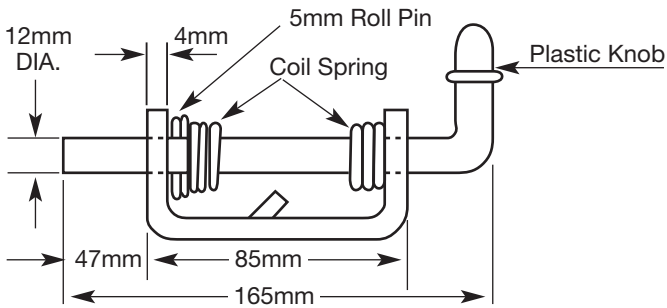
## KPSB1

# SHOOT BOLT



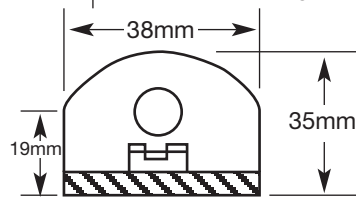
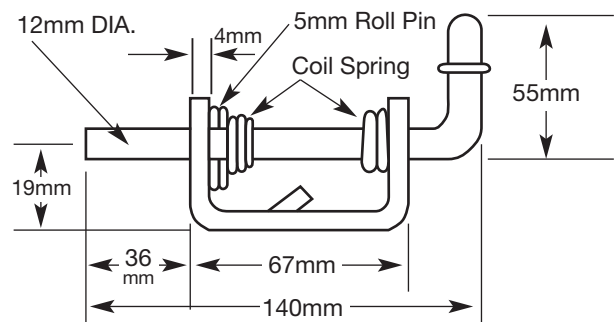
L/H or R/H  
Body thickness 3mm

## KPSB2



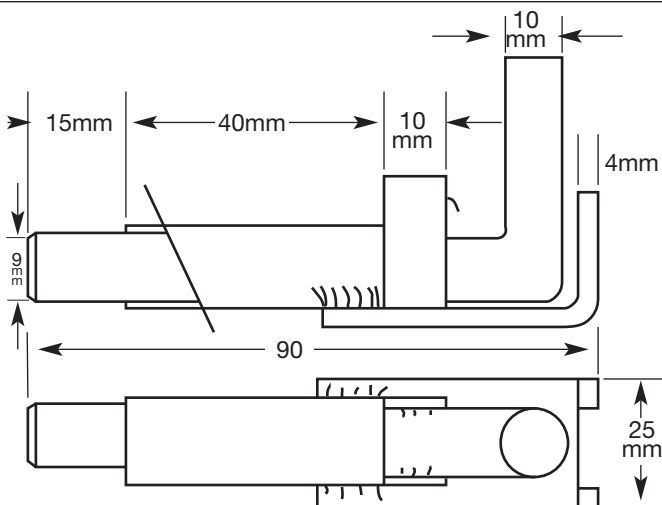
AS SHOWN, BUT WITH 25MM WIDE BODY, IS 'F' TYPE  
NON LOCKING, WITH 25MM WIDE BODY, IS 'F1' TYPE

**Sprung Shoot Bolt 'E' Type**  
Zinc Plated

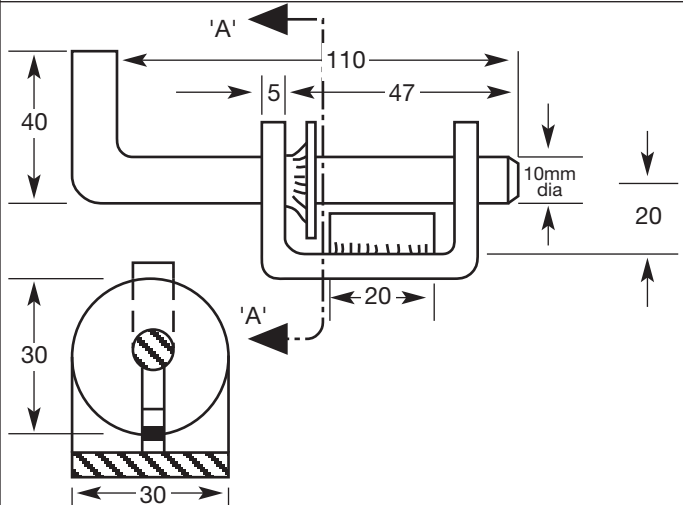


AS SHOWN, BUT WITH 25MM WIDE BODY, IS 'K' TYPE

**Sprung Shoot Bolt 'J' Type**  
Zinc Plated

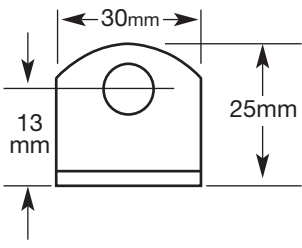
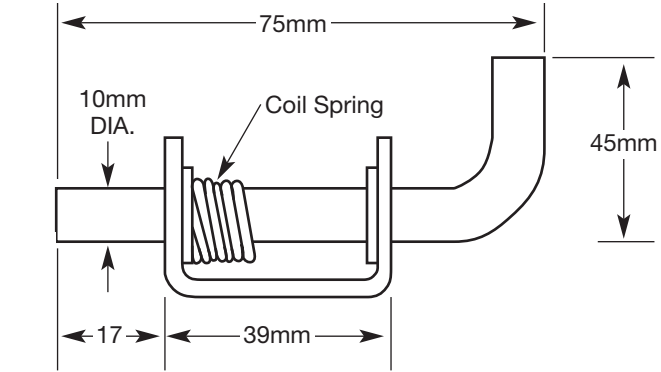


**ECONOMY SHOOT BOLT**  
Please Specify Assem'd  
If This is Required

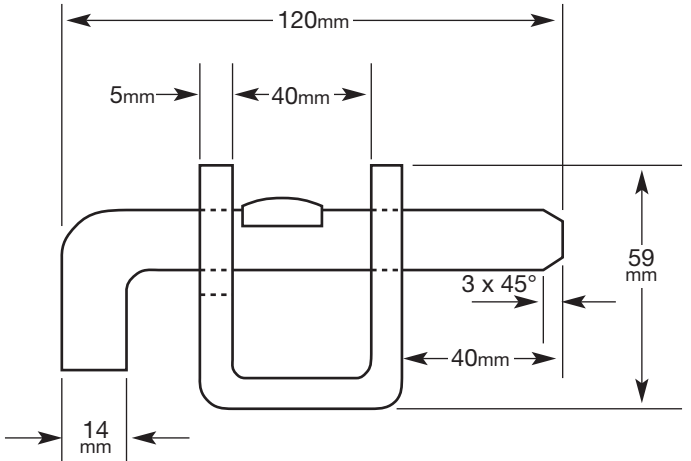


**HIGH LIFT SHOOT BOLT**



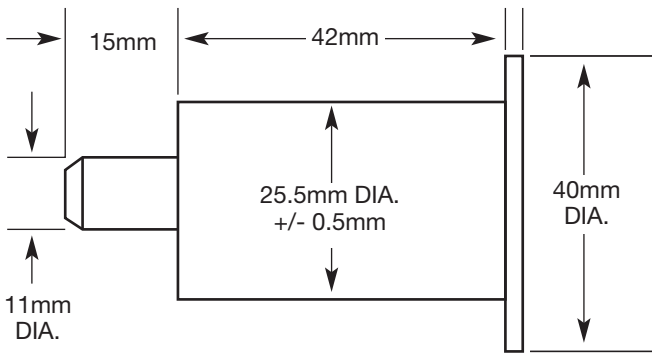


**Non Locking  
Mini Shoot  
Bolt**



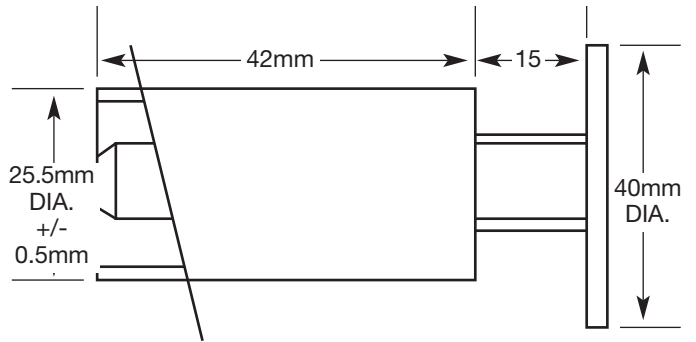
**Heavy Duty Keyhole  
Locking Shoot Bolt**

WELDING - USE •8MM.WIRE - LOW SETTING



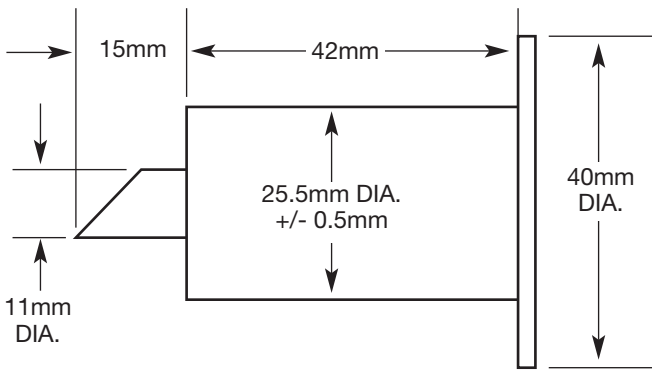
Sprung, Bullnose,  
NON-Locking Plunger  
Zinc Plated 'L'

WELDING - USE •8MM.WIRE - LOW SETTING



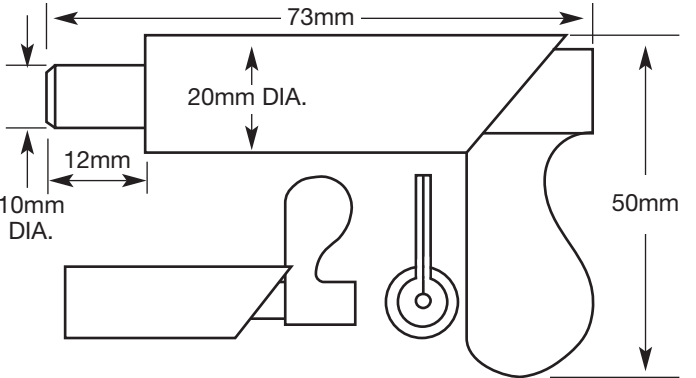
Sprung, Bullnose,  
Locking Plunger  
Zinc Plated 'G'

WELDING - USE •8MM.WIRE - LOW SETTING

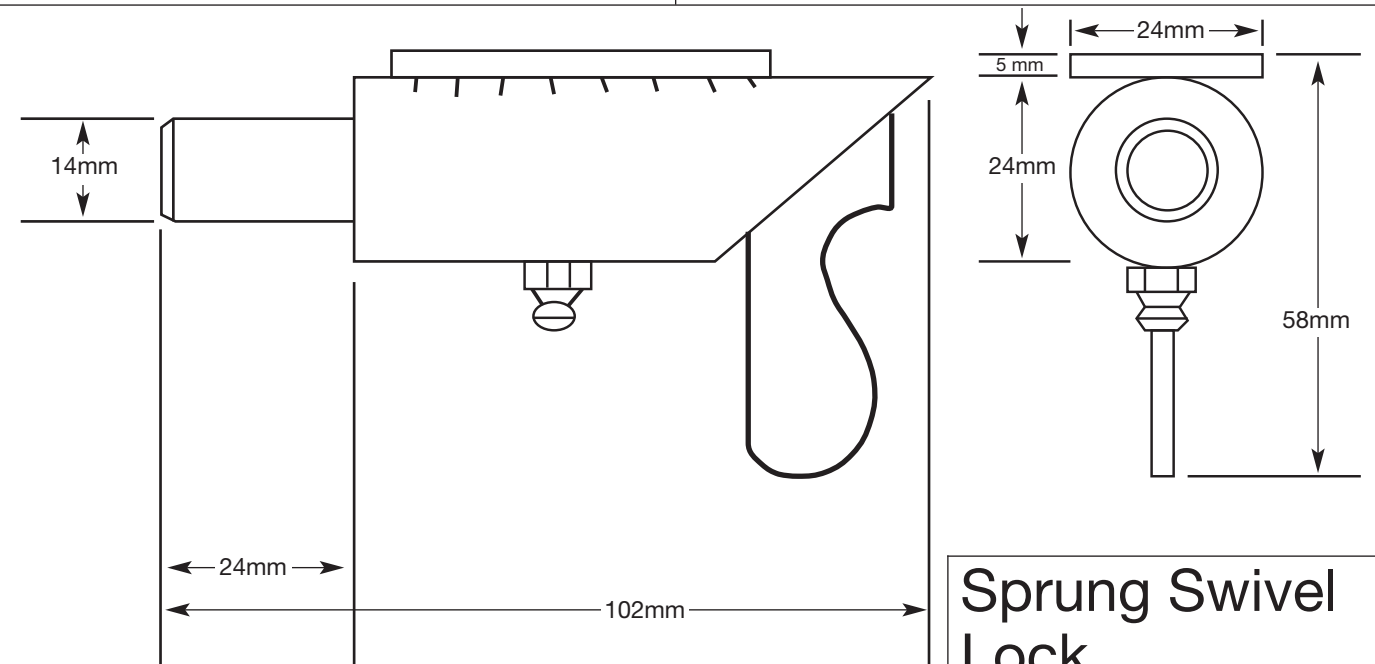


Sprung, 45° Chamfered,  
Timed, Plunger  
Zinc Plated 'I'

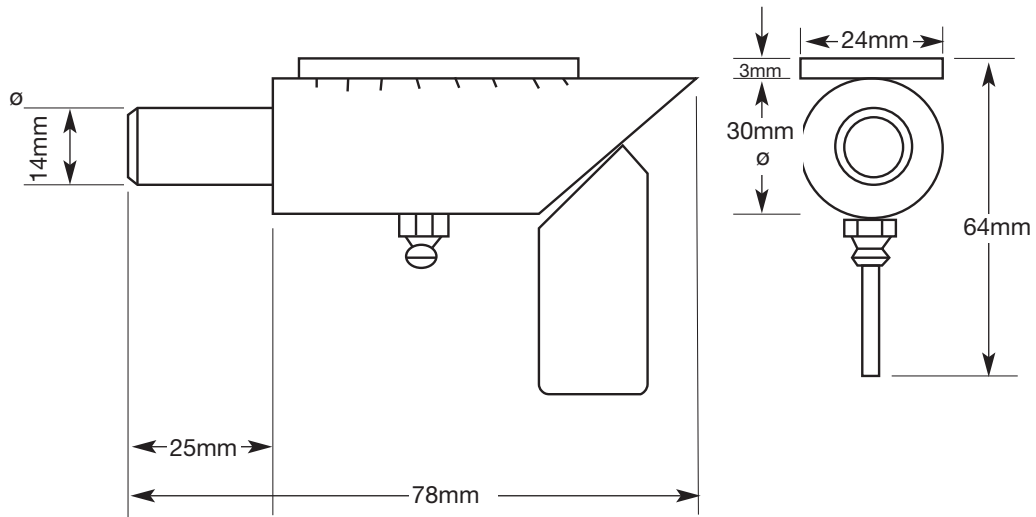
WELDING - USE •8MM.WIRE - LOW SETTING



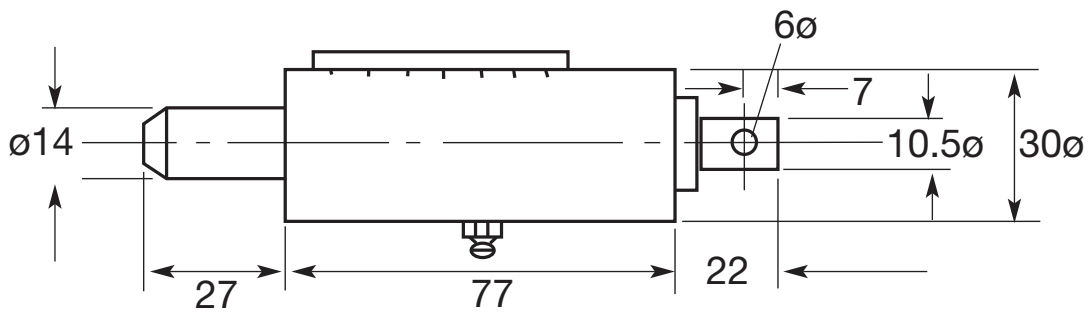
Sprung, Swivel Lock,  
Zinc Plated 'H'



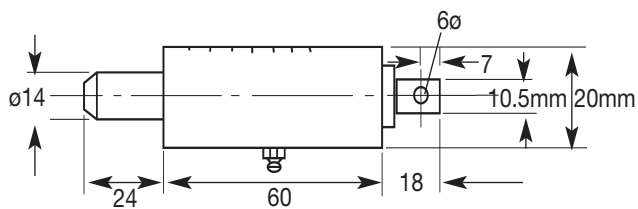
Sprung Swivel  
Lock  
Zinc Plated 'M'



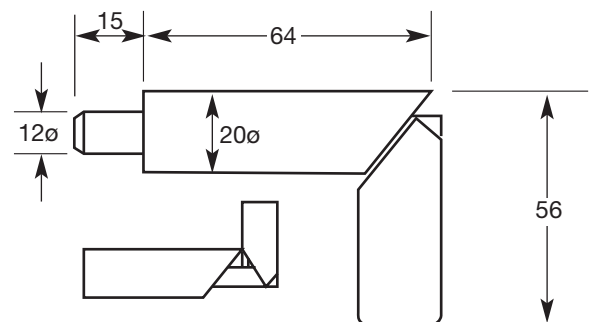
Sprung Swivel Lock Plastic Handle Z/P 'N' Type



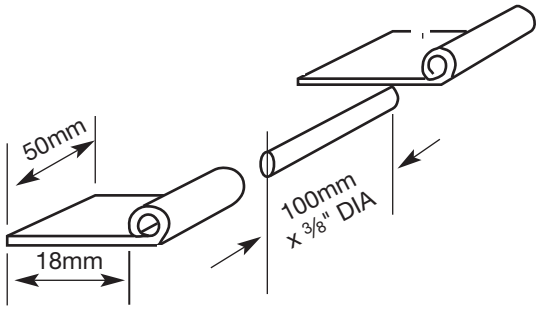
Sprung Shoot Bolt Z/P 'P' Type



Sprung Shoot Bolt Z/P Mini 'P' Type

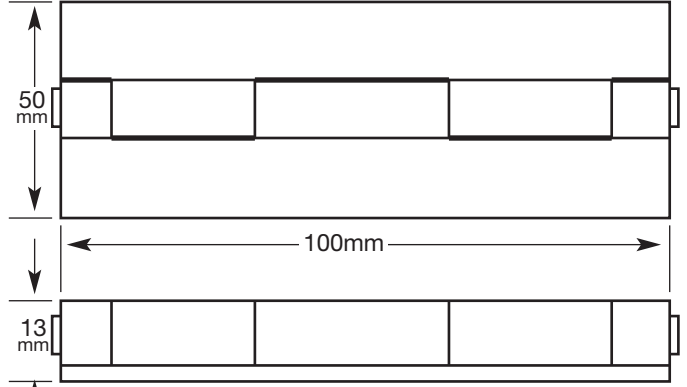


Sprung Swivel Lock Z/P Plastic Handle 'Q' Type

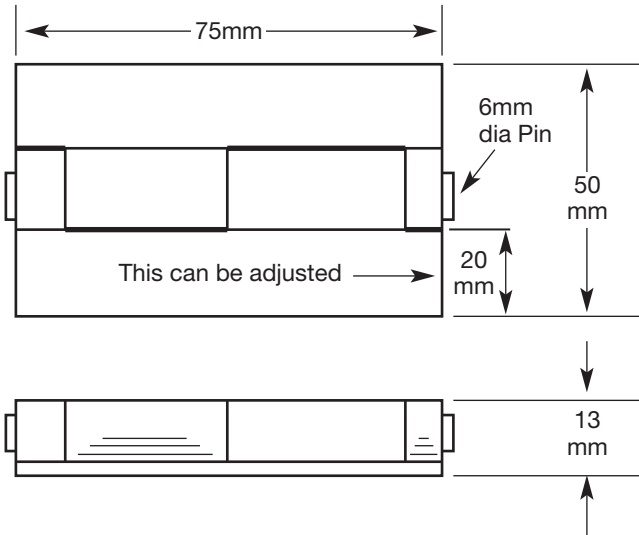


THE OVERALL LENGTH OF 100MM CAN BE ADJUSTED TO SUIT REQUIREMENTS, AS ALSO, THE 18MM DIMENSION

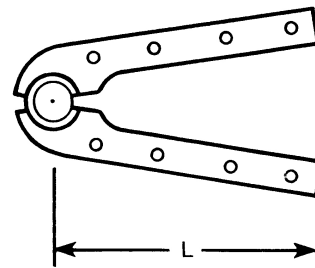
### Universal Weldable Hinge



### Weldable Butt Hinge 100mm.

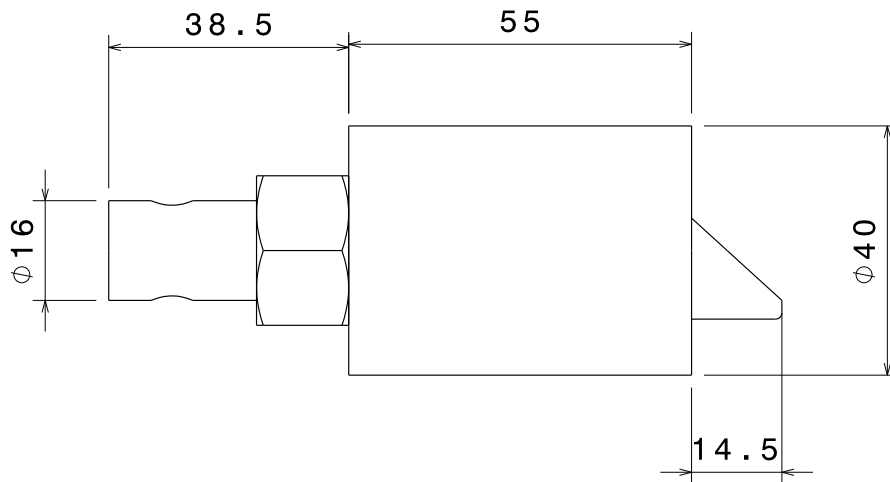


### Weldable Butt Hinge 75mm.



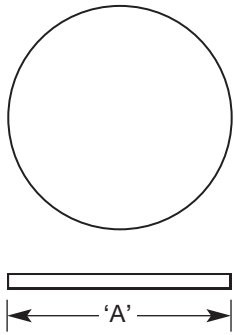
REF	Length	Thickness
T180/4	180mm	4mm
T230/4	230mm	4mm
T300/4	300mm	4mm
T375/4	375mm	4mm

### Trestle Hinge



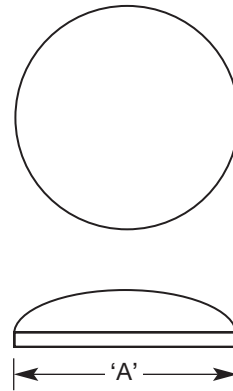
### 'D' Type Dragon Shoot Bolt Z/P

## FLAT CAPS



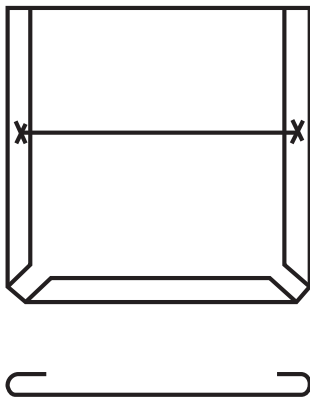
Size 'A' to customers requirements

## DOMED CAPS



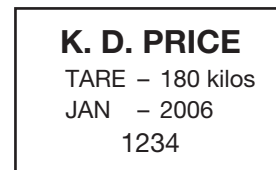
Size 'A' to customers requirements

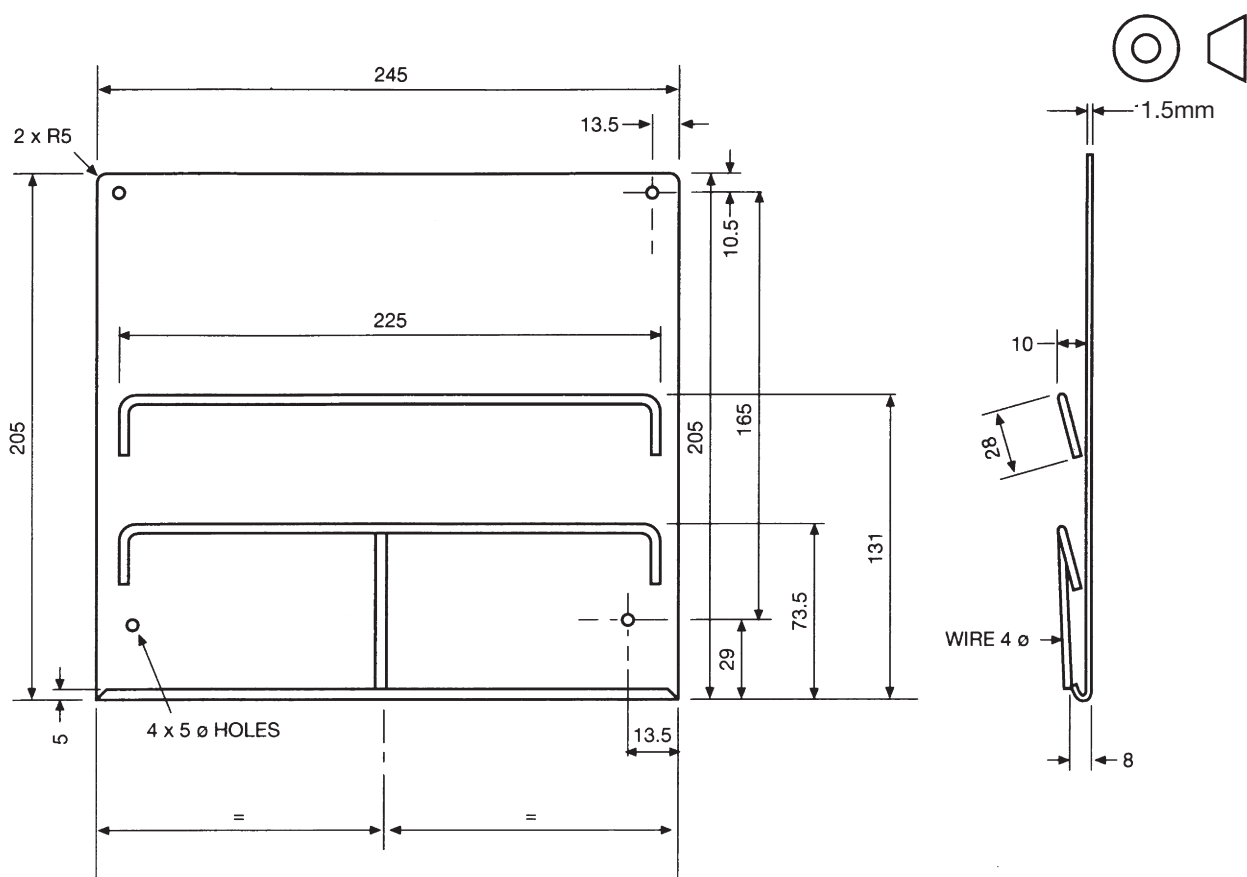
## DOCUMENT HOLDERS



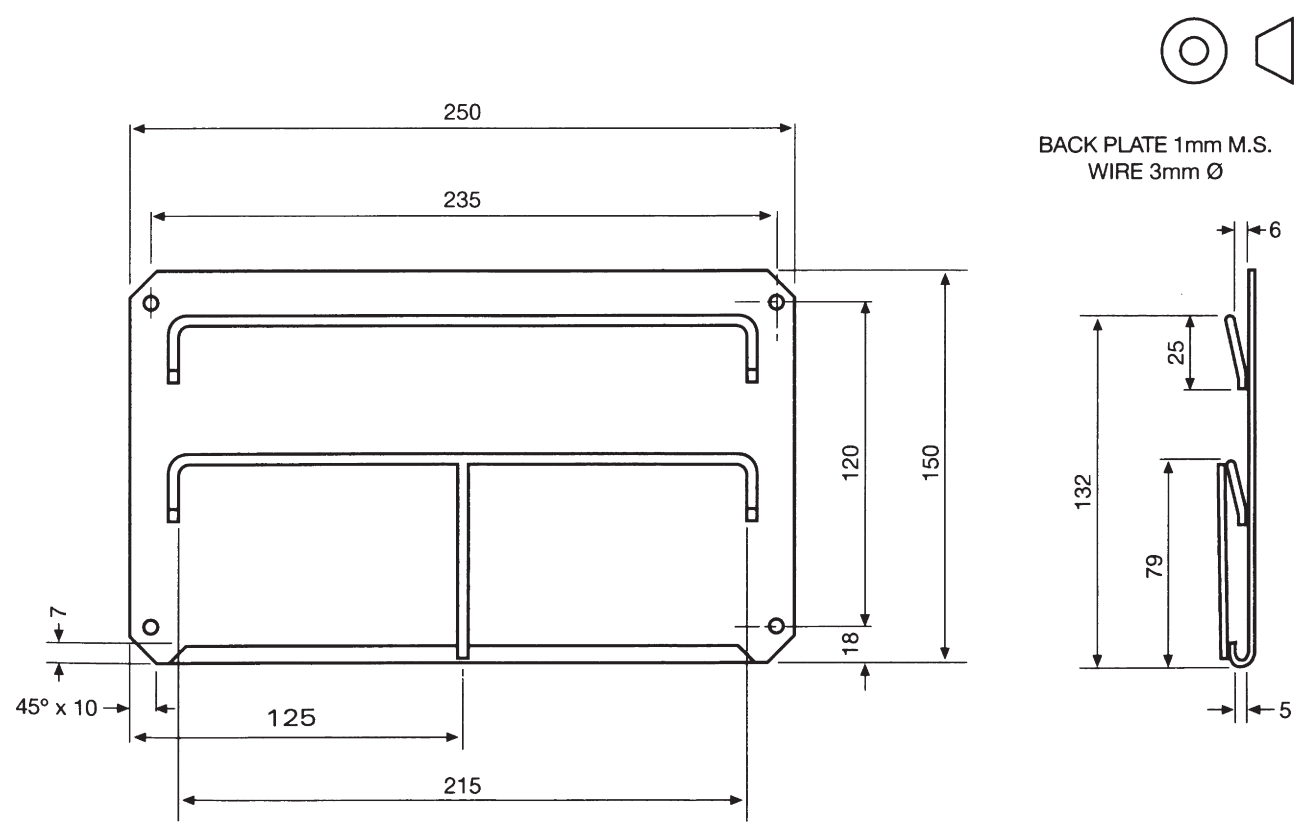
Mild Steel card holders to suit any size of card,  
with or without wire reinforcement retainer.

## CONSECUTIVELY NUMBERED/ IDENTIFICATION PLATES





**KIR501** Odete Card Holder

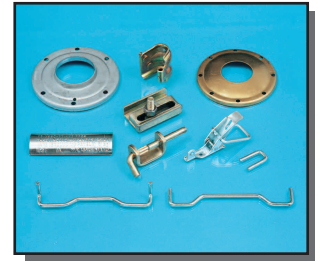
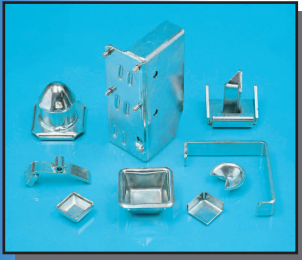


**KIR503** Odete Card Holder



## The Company

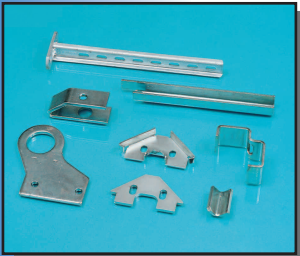
Kirmell is a privately owned company that was formed in the mid-1980's to provide quality presswork to a range of industrial sectors. From its base in the midlands, the company has developed into a quality presswork supplier to specialist companies and end users. Fundamental to the company's operations is the use of its wealth of practical experience and expertise to provide a first class service and to work in partnership with its customers.



## Facilities

Kirmell has an impressive range of in-house facilities:-

- ❑ Around 100 presses with capacities up to 250 tonne
- ❑ Both sheet and coil fed facilities
- ❑ Fully experienced in working with mild steel, stainless steel and aluminium up to 10mm and wire/rod from 2mm to 20 mm
- ❑ Modern brakes presses up to 220 tonne capacity
- ❑ Bysmart fiber laser
- ❑ Extensive CO<sub>2</sub> welding facilities
- ❑ In-house toolroom for both new tool production and adaptation of existing tools
- ❑ Full supporting machining facilities (drilling tapping etc)
- ❑ Dedicated quality assurance procedures
- ❑ .... and a highly experienced and motivated workforce.



## Location

Kirmell is ideally located in the heart of the industrial Midlands. The company's factory is within minutes of the M5 and M6 motorways, thus enabling it to provide an efficient delivery service to customers throughout the country and overseas.

The location of the company also ensures that fully trained and experienced personnel are available in all the areas of manufacture



For further information on our services and facilities please contact